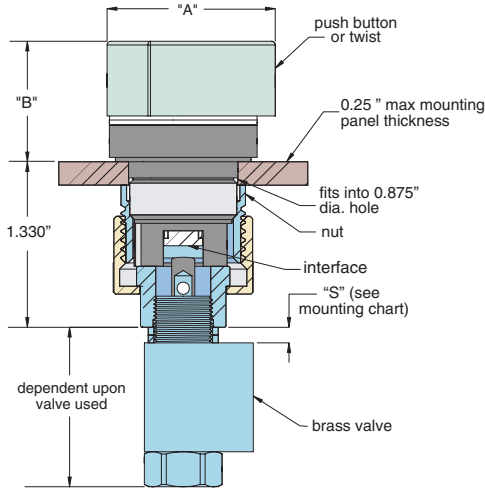


## Size 22 mm Actuators



**Flush Push Button.** Manual Push "In". Spring Return.

Part No.	Description
<a href="#">P22-P2F-R</a>	Red
<a href="#">P22-P2F-G</a>	Green
<a href="#">P22-P2F-B</a>	Black
<a href="#">P22-P2F-Y</a>	Yellow



**Extended Push Button.** Manual Push "In". Spring Return.

Part No.	Description
<a href="#">P22-P2E-R</a>	Red
<a href="#">P22-P2E-G</a>	Green
<a href="#">P22-P2E-B</a>	Black
<a href="#">P22-P2E-Y</a>	Yellow



**Automatic Push/Turn Mushroom.** Manual push "In". Latches "In". Turn clockwise to unlatch. Spring return.

Part No.	Description
<a href="#">P22-L3M-R</a>	Red
<a href="#">P22-L3M-G</a>	Green
<a href="#">P22-L3M-B</a>	Black



**Maintained Twist 90°.** Turn clockwise to latch "In". Turn counterclockwise to release. Black only.

Part No.	Description
<a href="#">P22-T3T-B</a>	Black

PB-22-X Adapter			
Actuator	Adapter	"A"	"B"
P22-P2F-	<a href="#">PB-22-P</a>	1.200"	0.450"
P22-P2E-	<a href="#">PB-22-P</a>	1.200"	0.650"
P22-P2M-	<a href="#">PB-22-P</a>	1.600"	0.850"
P22-L3M-	<a href="#">PB-22-K</a>	1.450"	1.000"
P22-L4M-	<a href="#">PB-22-K</a>	1.450"	1.200"
P22-T2T-	<a href="#">PB-22-T</a>	1.200"	0.925"
P22-T3T-	<a href="#">PB-22-T</a>	1.200"	0.925"
P22-T3K-	<a href="#">PB-22-T</a>	1.200"	1.000"
P22-K3K-	<a href="#">PB-22-T</a>	1.200"	1.000"



**Spring Return Twist 45°.** Turn clockwise and hold for "In". Release for spring return. Black only.

Part No.	Description
<a href="#">P22-T2T-B</a>	Black



**Manual Push Mushroom.** Manual Push "In". Spring Return.

Part No.	Description
<a href="#">P22-P2M-R</a>	Red
<a href="#">P22-P2M-G</a>	Green
<a href="#">P22-P2M-B</a>	Black

### Mounting Chart for Clippard Valves

The following chart gives the necessary spacing required between the shoulder of the valve and the base of the adapter. Two 1/16" spacers are furnished with each adapter.

#### Spacer Requirements

Valves	"S"
MAV-2, -2P, -2R, -3R, -3, -3P MAVO-2, -3	None
MJV-2, -3 MJVO-2, -3	1/8"
MAV-4, -4D MJV-4, -4D	None
<a href="#">ES-1</a>	None
FV-3, -3P, -3D, -3DP FV-4, -4P, -4D, -4DP FV-5, -5P, -5D, -5DP	1/8"



**Key Twist 90° Maintained.**

(P22-T3K-B) Turn key clockwise to latch "In". Turn key counterclockwise to release. Key with-drawable in both positions. Black only.

P22-K3K-B same as P22-T3K-B except key is withdrawable in "Out" position only.

Part No.	Description
<a href="#">P22-T3K-B</a>	Black
<a href="#">P22-K3K-B</a>	Black



**Push Key Mushroom.** Manual push "In".

Automatic latches "In". Turn key clockwise to release. Spring return. Key withdrawable "Out" position only. Red only.

Part No.	Description
<a href="#">P22-L4M-R</a>	Red